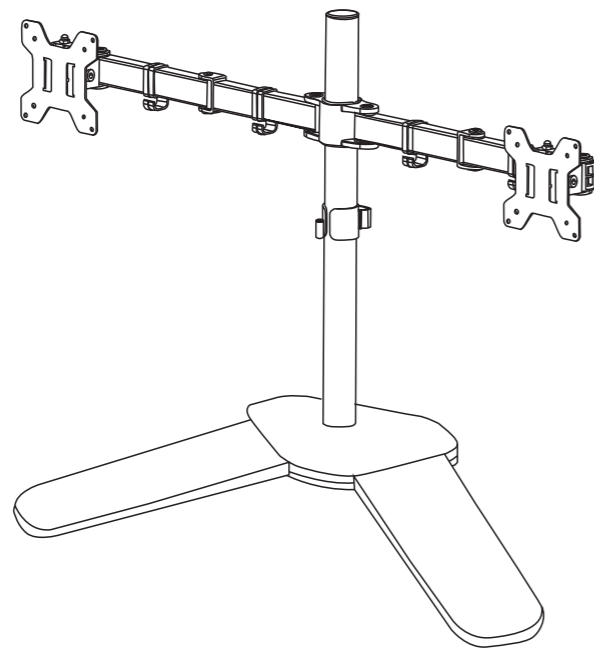


1

REV:00



75x75  
100x100

27"  
MAX

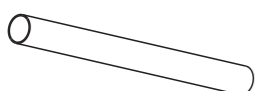


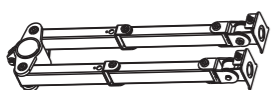

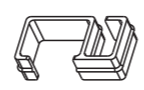

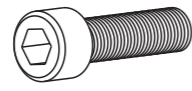


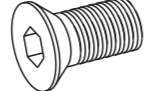

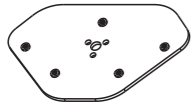
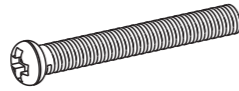


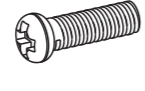




9kg  
(22lbs)  
MAX



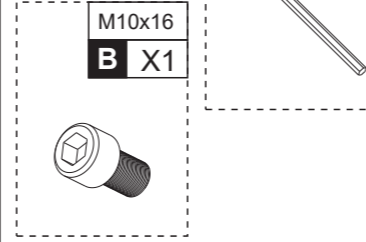
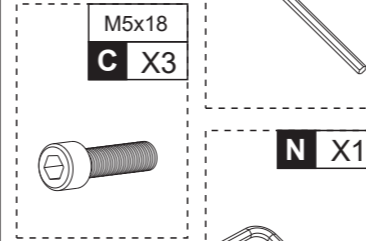
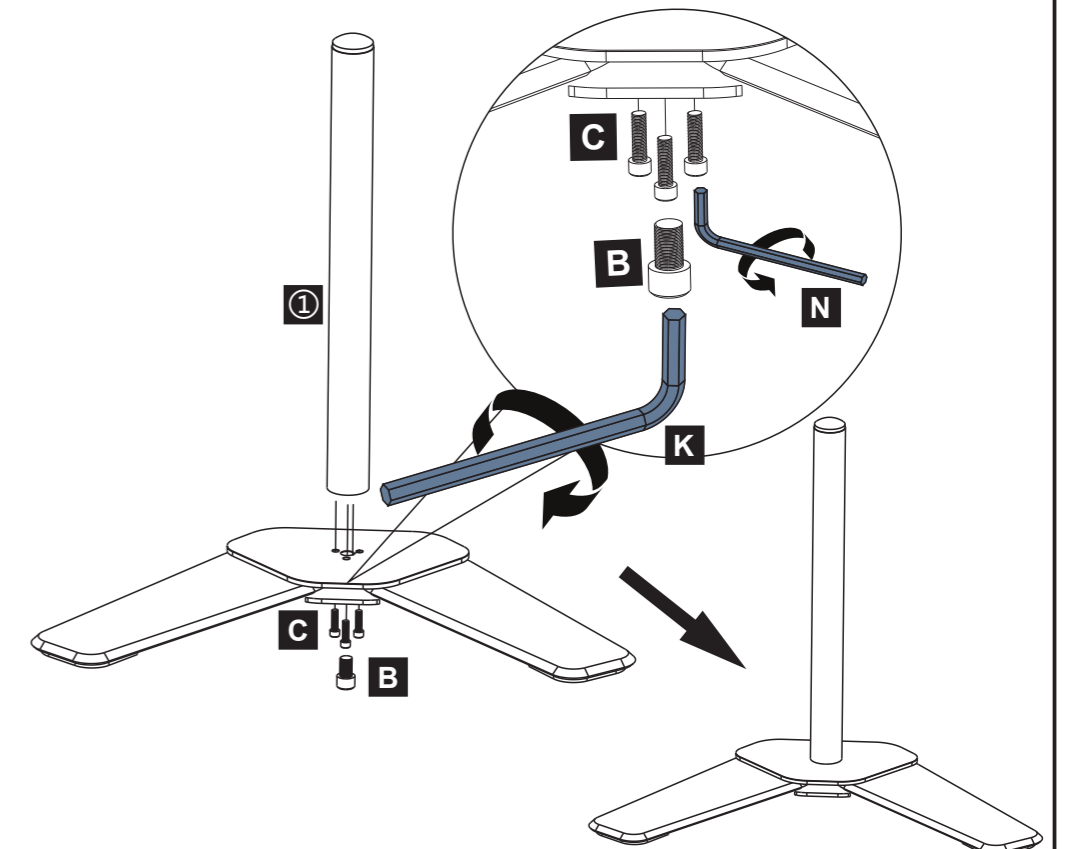
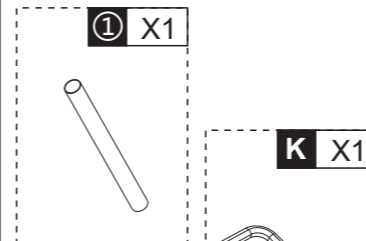
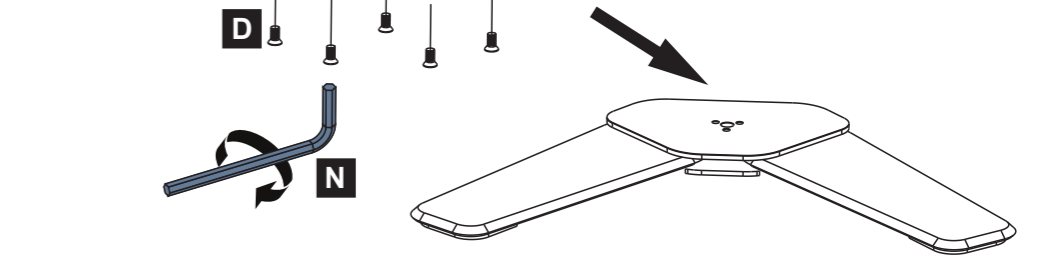
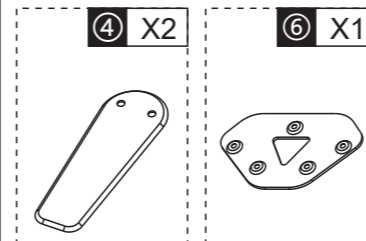
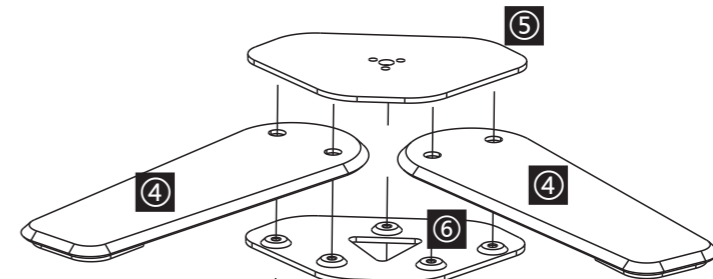
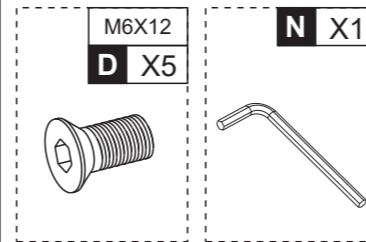
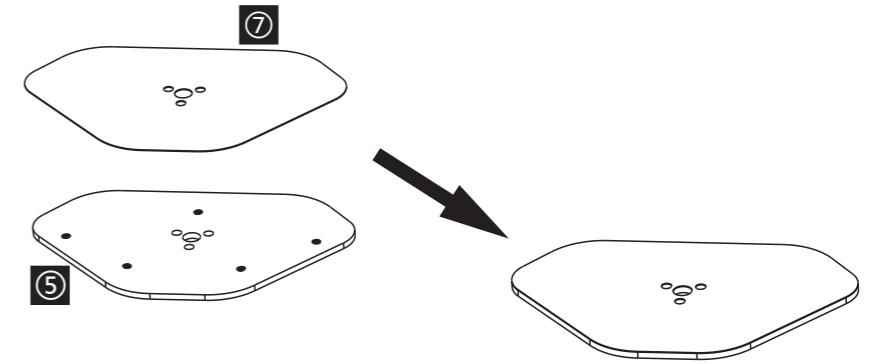
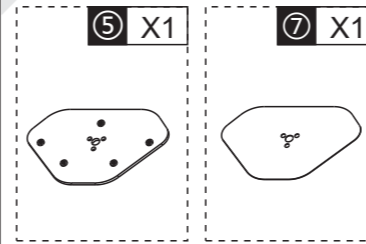
CAUTION: DO NOT EXCEED  
RATED LISTED WEIGHT. SERIOUS  
INJURY OR PROPERTY DAMAGE  
MAY OCCUR!

ZL-1124

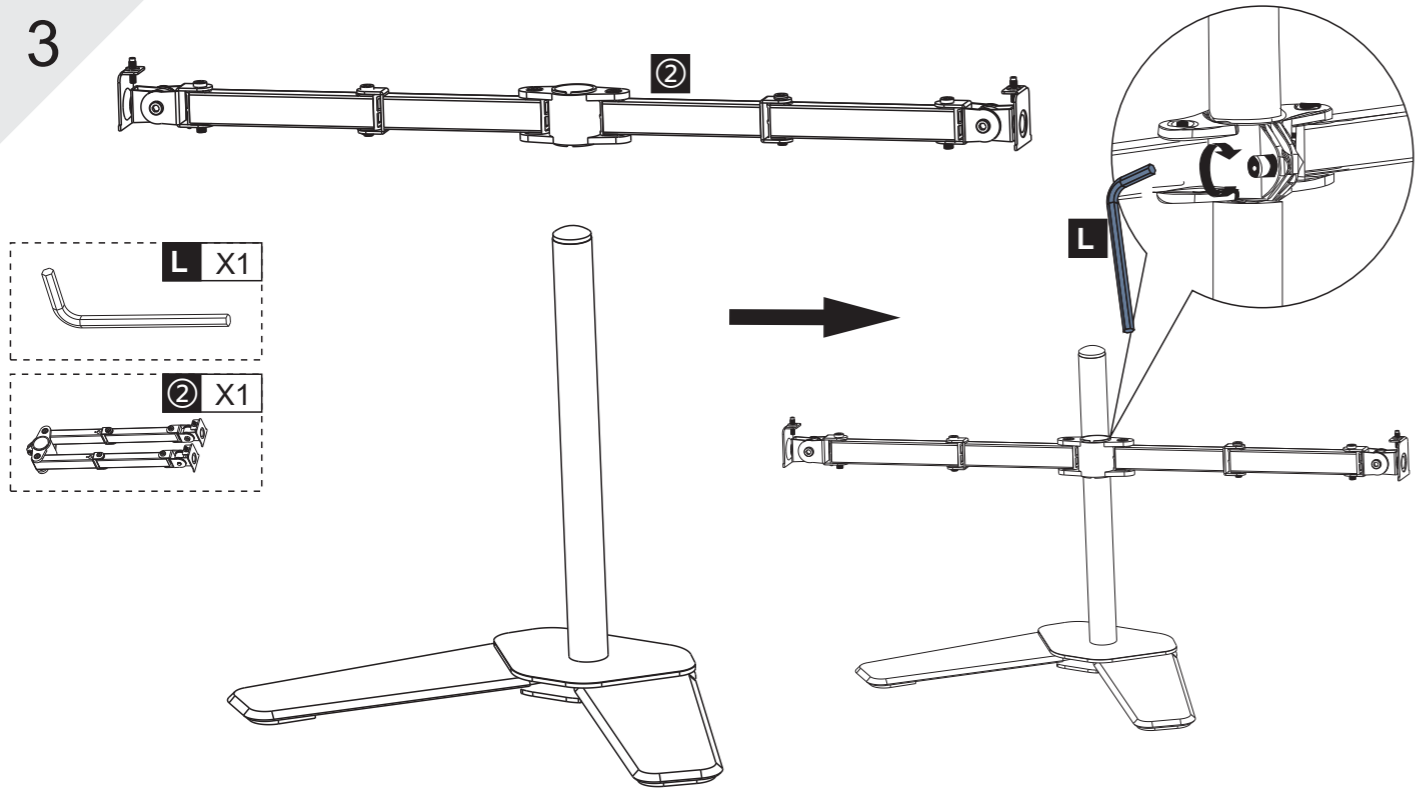
**PART LIST**

	① X1		M6 A X2		I X1
	② X1		M10x16 B X1		J X4
	③ X2		M5x18 C X3		K X1
	④ X2		M6x12 D X5		L X1
	⑤ X1		M4x30 F X8		M X1
	⑥ X1		M4*12 G X8		N X1
	⑦ X1		H X8		O X1

2

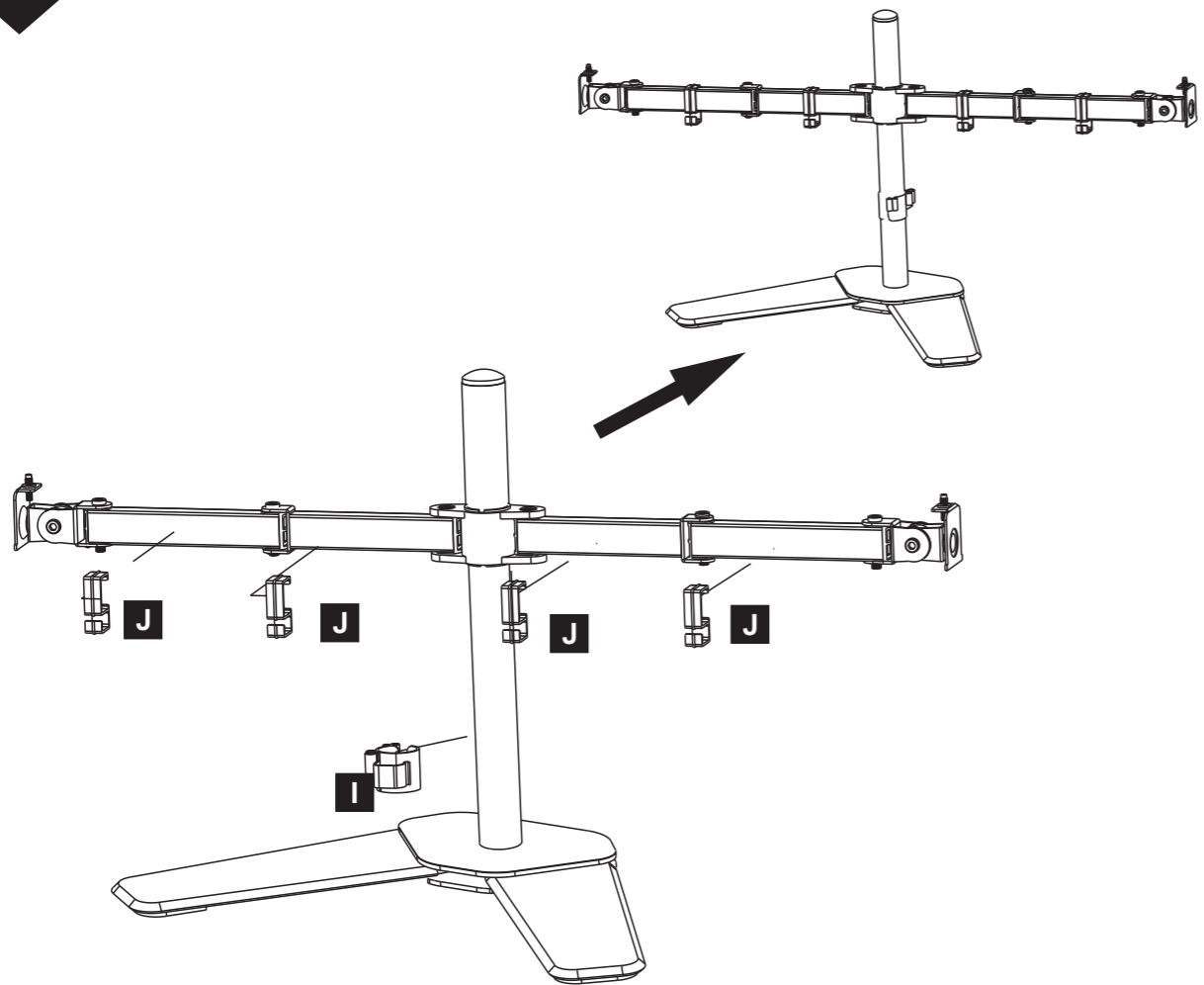


3

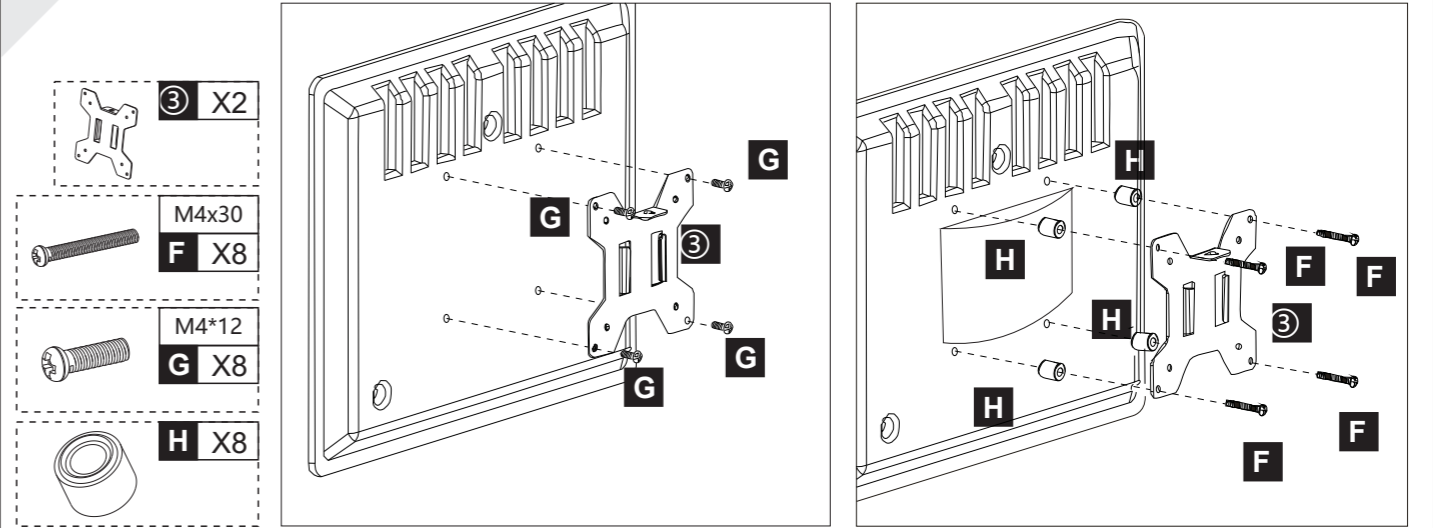


- L** X1
- 2** X1

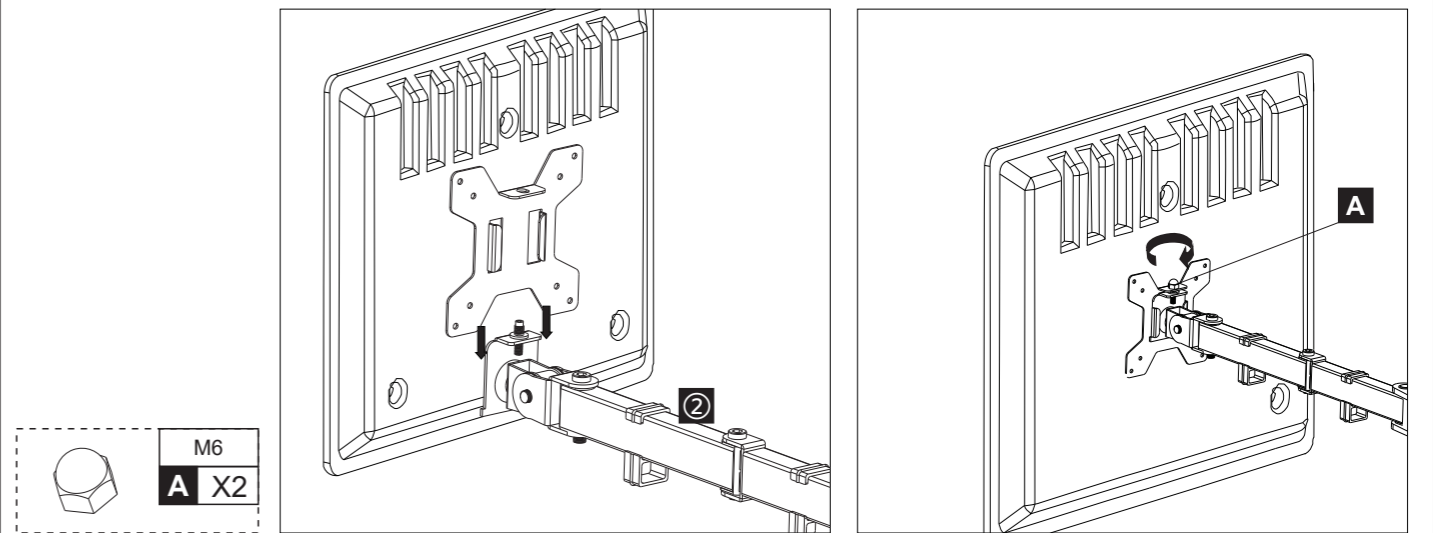
- I** X1
- J** X4



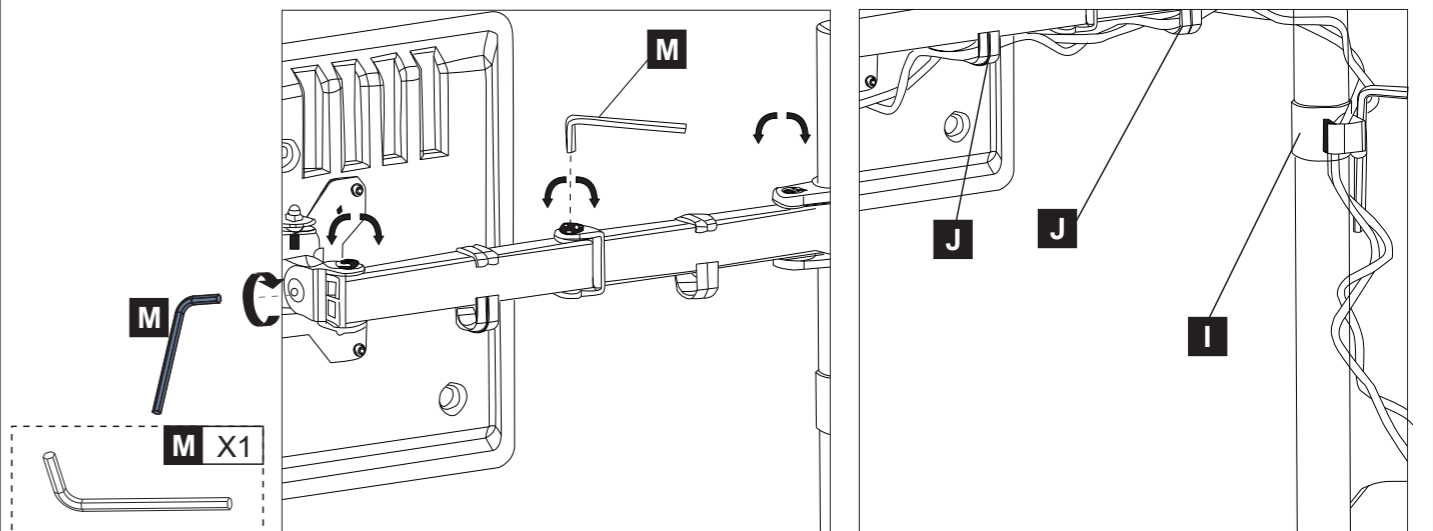
4



- 3** X2
- M4x30 **F** X8
- M4\*12 **G** X8
- H** X8



- M6 **A** X2



- M** X1